

KombiSIGN 50 / Accessories

Bracket for base mount. BWM BK

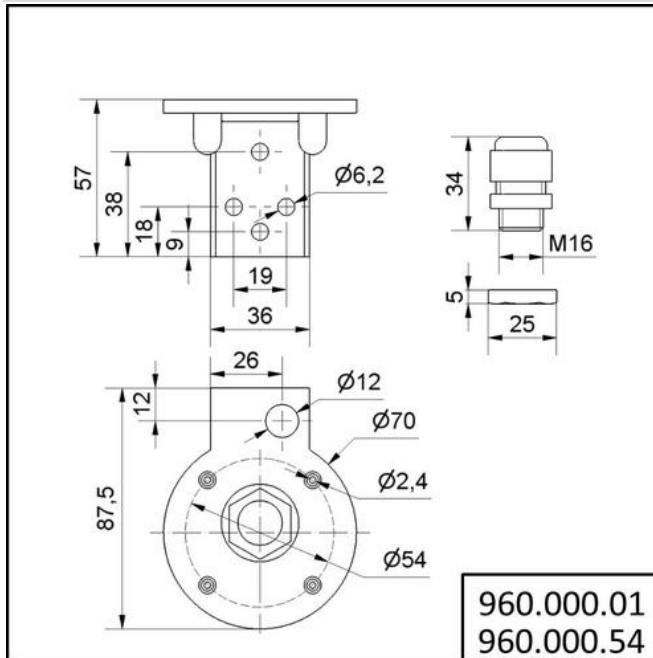


Part No.: 960.000.01

MECHANICAL DATA

Length	88 mm
Width	70 mm
Height	57 mm
Diameter	70 mm
Materials	PA-GF
Housing colour	Black
Weight with packaging	57 g
Product weight	57 g

DRAWING



! For additional installation and mounting information, refer to the appropriate user guide at www.werma.com. This printed copy is for information only and is subject to alteration.